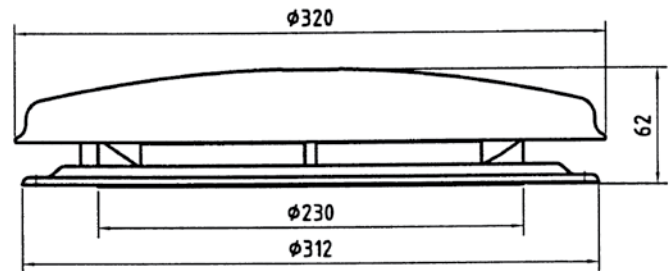
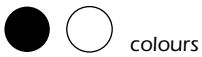


Rooftop Ventilator



EMC APPROVED



OPTIONAL

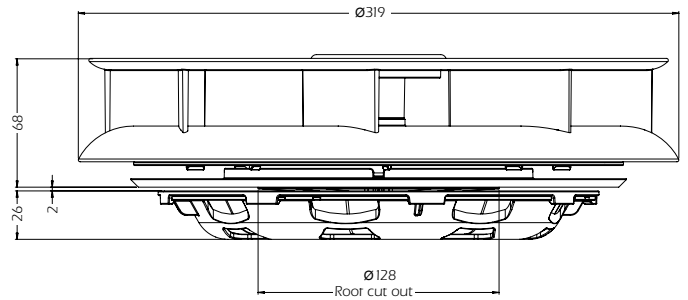
- Speed control
- Switch
- Internal ventilation valve
- Snow filter

TECHNICAL DETAILS

Part. No.	Voltage V	Air flow m ³ /h	Watt W	Nominal speed RPM	Noise level DB(A)	Function Suction/Blowing	Rooftop opening mm
02-0200	12	850	80	2600	52	Suction/Blowing	230 / 245
02-0200-ZW	12	850	80	2600	52	Suction/Blowing	230 / 245
02-0300	24	850	80	2600	52	Suction/Blowing	230 / 245
02-0300-ZW	24	850	80	2600	52	Suction/Blowing	230 / 245
02-0900	without motor						230 / 245

Part. No.	Material Roofing		Material Cover	
02-0200	ABS/White	RAL 9010	PA6/White	RAL 9010
02-0200-ZW	ABS/White	RAL 9010	PA6/Black	RAL 9005
02-0300	ABS/White	RAL 9010	PA6/White	RAL 9010
02-0300-ZW	ABS/Black	RAL 9005	PA6/Black	RAL 9005
02-0900	ABS/White	RAL 9010	PA6/White	RAL 9010

Rooftop Ventilator



Turbo II

“TURBO II”



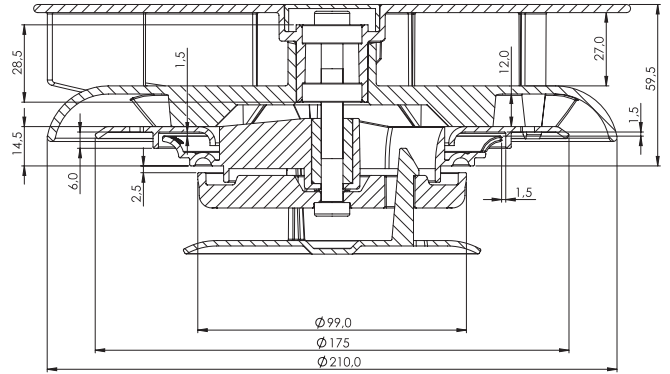
REMARKS

Standard mountingset suits roof thickness 1mm - 21mm (other mountingsets available on request)

TECHNICAL DETAILS

Part. No.	Description	Function	Weight kg	Bearing	Material	Remarks
02-7000	Rotating Exhaust Vent White	Suction	1,2	2 Ball	ABS	Complete with Interior Grill & Shutter
02-7100	Rotating Exhaust Vent Black	Suction	1,2	2 Ball	ABS	Complete with Interior Grill & Shutter

Rooftop Ventilator



“TURBO III”



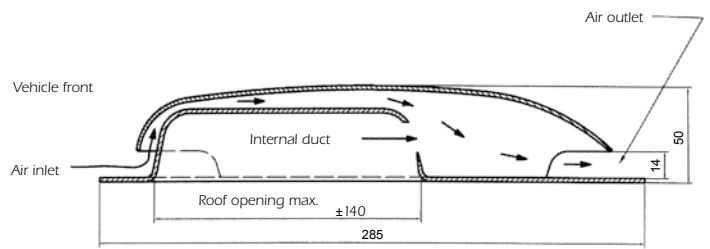
REMARKS

Standard mountingset suits roof thickness 1 mm - 17 mm. (other mountingsets available on request). Roof cut out \varnothing 80 mm.

TECHNICAL DETAILS

Part. No.	Description	Function	Weight kg	Bearing	Material	Remarks
02-6000	Rotating exhaust ventilator	Suction	0.55	2 Ball	ABS	Complete with open/close valve
02-6100	Rotating exhaust ventilator	Suction	0.55	2 Ball	ABS	Complete with open/close valve

Rooftop Ventilator



EXHAUST VENTILATOR



TECHNICAL DETAILS

Part. No.	Function Suction/Blowing	Weight kg	Material	Colour
02-1030	Suction	0,5	ABS	White
02-1030-ZW	Suction	0,5	ABS	Black